

## Hour meters: The best solution for accurately measuring operating times

### MAINTENANCE-FREE TECHNOLOGY, WIDE ASSORTMENT

#### taxxo product line

The AC hour meters of the taxxo product family are suitable for assembly, installation or DIN rail mounting and are available with different voltage versions. The devices operate mains synchronised within an ambient temperature of  $-20^{\circ}\text{C}$  to  $+55^{\circ}\text{C}$ .

These robust devices of the taxxo family comply with the security guidelines of protection class II and IP20 protection - even IP54 protection with seal - and are characterised by a long-life and maintenance-free technology.

The meters of the taxxo product family can capture up to 99,999.99 working hours, for example, suitable for machinery or pumps working time control, and thus guarantee an effective runtime measurement of vehicles or machinery of any kind.



*The hour meters of the taxxo product line are used to record operating times of machinery and equipment which are used with alternating current.*

 **Hour meters**

<b>Hour meters</b> – Selection guide	20
<b>Surface mounting hour meters</b>	22
taxxo 100	22
<b>Built-in mounting hour meters</b>	24
taxxo 112	24
taxxo 612	26
taxxo 712	28
<b>DIN rail mounting hour meters</b>	30
taxxo 403	30

## Hour meter – Selection guide

taxxo 100



taxxo 112



<b>Mounting</b>	Surface mounting	Built-in mounting
<b>Electric connection</b>	Screw terminal with wire protection max. 2.5 mm <sup>2</sup> Socket	Flat plug DIN 6.3
<b>Supply voltage</b>	AC 18-26 V ± 10 % 50 Hz AC 110-120 V ± 10 % 50 Hz AC 220-240 V ± 10 % 50 Hz AC 330-380 V ± 10 % 50 Hz	AC 18-26 V ± 10 % 50 Hz AC 110-120 V ± 10 % 50 Hz AC 110-127 V ± 10 % 60 Hz AC 220-240 V ± 10 % 50 Hz
<b>Replacement part / accessory</b>	Base Surface mount housing	Ratchet clamp Cover 55 x 55 Cover 72 x 72 Sealing IP54 for cover 72 x 72
<b>Protection type</b>	IP20	IP20 IP54 with sealing

Page

22

24

taxxo 612	taxxo 712	taxxo 403
-----------	-----------	-----------



Built-in mounting Flat plug DIN 6.3	Built-in mounting Flat plug DIN 6.3	DIN rail mounting Screw terminal with wire protection max. 2.5 mm <sup>2</sup> undetachable screw terminals
AC 18-26 V ± 10 % 50 Hz AC 220-240 V ± 10 % 50 Hz AC 330-380 V ± 10 % 50 Hz	AC 18-26 V ± 10 % 50 Hz AC 110-120 V ± 10 % 50 Hz AC 110-127 V ± 10 % 60 Hz AC 220-240 V ± 10 % 50 Hz	AC 18-26 V ± 10 % 50 Hz AC 36-48 V ± 10 % 50 Hz AC 110-120 V ± 10 % 50 Hz AC 110-127 V ± 10 % 60 Hz AC 220-240 V ± 10 % 50 Hz AC 330-380 V ± 10 % 50 Hz
Sealing IP50 Spring clip	Sealing IP50 Ratchet clamp	–
IP20 IP50 with sealing	IP20 IP50 with sealing	IP20

26

28

30

# Hour meter surface mounting – taxxo 100



## PRODUCT DESCRIPTION

The taxxo 100 hour meter with AC intended for surface mounting is available in different voltage variants. The device is equipped with a plug base with screw terminals and operates mains synchronised within an ambient temperature of -20 °C ... + 55 °C. The meter can monitor up to 99,999.99 hours of operation. The product complies with the safety guidelines of protection class II and protection type IP20. taxxo is characterised by long-life and maintenance-free technology with robust and reliable design.

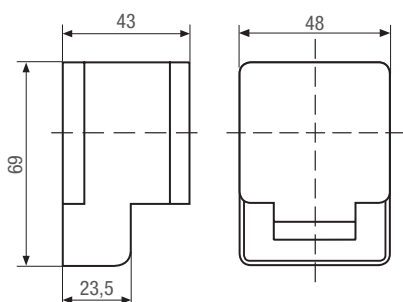
- ▶ Surface mounting for easy and quick installation



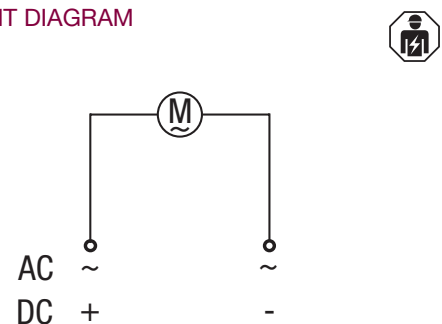
## APPLICATION AREAS

- ▶ Machinery working time control
- ▶ Pumps working time control
- ▶ Effective runtime measurement of vehicles and machines

## DIMENSION DRAWINGS



## CIRCUIT DIAGRAM



## TECHNICAL DATA

### Electrical Data

Power consumption	1 VA
Accuracy	Mains synchronised

### Electric connection

Device	Screw terminal with wire protection max. 2.5 mm <sup>2</sup> Socket
--------	--

### Display and format

Meter display	Analogue (7 digits) Hours
---------------	------------------------------

### Operating conditions

Temperature (operation)	-20° C ... +55° C
-------------------------	-------------------

### General data

Mounting	Construction Terminal cover
----------	--------------------------------

### Standard compliance

Protection type	IP20
Protection class	II, according to corresponding mounting

## SCOPE OF DELIVERY

- ▶ **Base ①**  
Item number: 15.92.0021.4  
EAN Code: 4010940002862
- ▶ **Mounting housing ②**  
Item number: 50.12.0001.4  
EAN Code: 4010940002879

## REPLACEMENT PART / ACCESSORY

- ▶ **Base ①**  
Item number: 15.92.0021.4  
EAN Code: 4010940002862
- ▶ **Mounting housing ②**  
Item number: 50.12.0001.4  
EAN Code: 4010940002879

## PRODUCT VARIANTS

### Item no. / EAN code 05.15.1001.1 / 4010940001339

Supply voltage	AC 220-240 V ± 10 % 50 Hz
Approval mark	CE, VDE, CSA

### Item no. / EAN code 05.15.1010.1 / 4010940001377 \*

Supply voltage	AC 18-26 V ± 10 % 50 Hz
Approval mark	CE, VDE, CSA

### Item no. / EAN code 05.15.1019.1 / 4010940001407

Supply voltage	AC 110-120 V ± 10 % 50 Hz
Approval mark	CE, VDE, CSA

### Item no. / EAN code 05.15.1089.1 / 4010940001506

Supply voltage	AC 330-380 V ± 10 % 50 Hz
Approval mark	CE, VDE, CSA

\* phase out



## Hour meters built-in mounting – taxxo 112



### PRODUCT DESCRIPTION

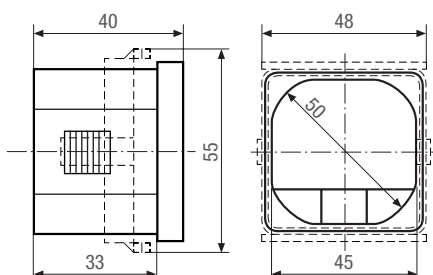
The taxxo 112 hour meters with AC intended for built-in mounting is available in different voltage variants. The device is equipped with screw terminals and operates mains synchronised within an ambient temperature of -20 °C ... + 55 °C. The meter can monitor up to 99,999.99 hours of operation. The product complies with the safety guidelines of protection class II and protection type IP20 and even protection type IP54 by using a baffle with seal. taxxo is characterised by long-life and maintenance-free technology with robust and reliable design.



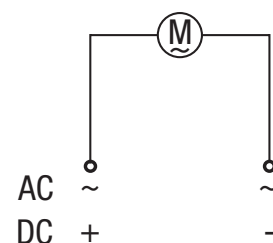
### APPLICATION AREAS

- ▶ Machinery working time control
- ▶ Pumps working time control
- ▶ Effective runtime measurement of vehicles and machines

### DIMENSION DRAWINGS



### CIRCUIT DIAGRAM





## TECHNICAL DATA

### Electrical Data

Power consumption	1 VA
Accuracy	Mains synchronised

### Electric connection

Device	Flat plug DIN 6.3
--------	-------------------

### Display and format

Meter display	Analogue (7 digits) Hours
---------------	------------------------------

### Operating conditions

Temperature (operation)	-20° C ... +55° C
-------------------------	-------------------

### General data

Mounting	Built-in
----------	----------

### Standard compliance

Protection type	IP20 IP54 with sealing
Protection class	II, according to corresponding mounting

## SCOPE OF DELIVERY

- ▶ **Catch frame ①**  
Item number: 15.27.0011.4  
EAN Code: 4010940002886

## REPLACEMENT PART / ACCESSORY

- ▶ **Catch frame ①**  
Item number: 15.27.0011.4  
EAN Code: 4010940002886
- ▶ **Baffle 55 x 55 ②**  
Item number: 05.15.0065.6  
EAN Code: 4010940008802
- ▶ **Baffle 72 x 72 ②**  
Item number: 16.26.0006.4  
EAN Code: 4010940008819
- ▶ **Sealing IP54 for baffle 72 x 72 ②**  
Item number: 11.24.0008.8  
EAN Code: 4010940011253

## PRODUCT VARIANTS

### Item no. / EAN code 05.15.1016.1 / 4010940002275

Supply voltage	AC 18-26 V ± 10 % 50 Hz
Approval mark	CE, VDE, CSA, UL

### Item no. / EAN code 05.15.1031.1\* / 4010940002299\*

Supply voltage	AC 110-127 V ± 10 % 60 Hz
Approval mark	CE, CSA, UL

### Item no. / EAN code 05.15.1038.1 / 4010940002268

Supply voltage	AC 220-240 V ± 10 % 50 Hz
Approval mark	CE, VDE, CSA, UL

### Item no. / EAN code 05.15.1118.1 / 4010940002282

Supply voltage	AC 110-120 V ± 10 % 50 Hz
Approval mark	CE, VDE, CSA, UL

\* These product variants are only produced by order





## Hour meters built-in mounting – taxxo 612



### PRODUCT DESCRIPTION

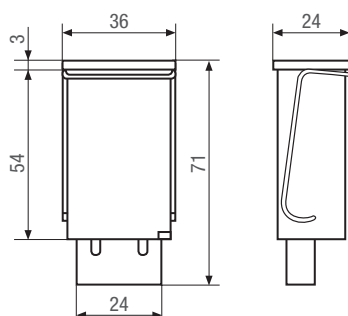
The taxxo 612 hour meter with AC intended for built-in mounting is available in different voltage variants. The device operates network synchronously within an ambient temperature of  $-20\text{ °C} \dots +55\text{ °C}$ . The meter can monitor up to 99,999.99 hours of operation. The product complies with the safety guidelines of protection class II and protection type IP20 and even protection type IP50 by using a seal. taxxo is characterised by long-life and maintenance-free technology with robust and reliable design.



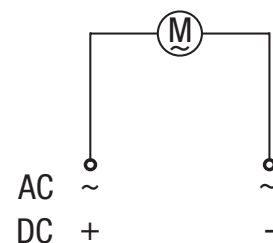
### APPLICATION AREAS

- ▶ Machinery working time control
- ▶ Pumps working time control
- ▶ Effective runtime measurement of vehicles and machines

### DIMENSION DRAWINGS



### CIRCUIT DIAGRAM



## TECHNICAL DATA

### Electrical Data

Power consumption	1 VA
Accuracy	Mains synchronised

### Electric connection

Device	Flat plug DIN 6.3
--------	-------------------

### Display and format

Meter display	Analogue (7 digits) Hours
---------------	------------------------------

### Operating conditions

Temperature (operation)	-20° C ... +55° C
-------------------------	-------------------

### General data

Mounting	Built-in
----------	----------

### Standard compliance

Protection type	IP20 IP50 with sealing
Protection class	II, according to corresponding mounting

## PRODUCT VARIANTS

### Item no. / EAN code 05.20.0006.1 / 4010940001599

Supply voltage	AC 220-240 V ± 10 % 50 Hz
----------------	---------------------------

### Item no. / EAN code 05.20.0016.1 / 4010940001667

Supply voltage	AC 18-26 V ± 10 % 50 Hz
----------------	-------------------------

### Item no. / EAN code 05.20.0033.1 / 4010940001742

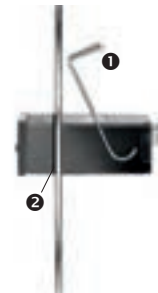
Supply voltage	AC 330-380 V ± 10 % 50 Hz
----------------	---------------------------

## SCOPE OF DELIVERY

- ▶ **Spring clip ①**  
Item number: 05.20.0026.6  
EAN Code: 4010940002961

## REPLACEMENT PART / ACCESSORY

- ▶ **Spring clip ①**  
Item number: 05.20.0026.6  
EAN Code: 4010940002961
- ▶ **Seal IP50 ②**  
Item number: 11.24.0007.8  
EAN Code: 4010940002978



## Hour meters built-in mounting – taxxo 712



### PRODUCT DESCRIPTION

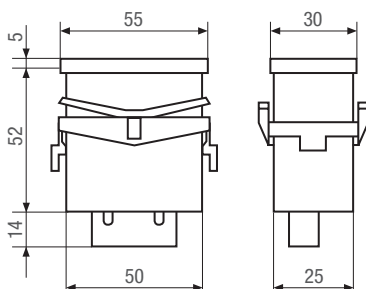
The taxxo 712 hour meter with AC intended for built-in mounting is available in different voltage variants. The device operates mains synchronised within an ambient temperature of -20 °C ... + 55 °C. The meter can monitor up to 99,999.99 hours of operation. The product complies with the safety guidelines of protection class II and protection type IP20 and even protection type IP50 by using a seal. taxxo is characterised by long-life and maintenance-free technology with robust and reliable design.



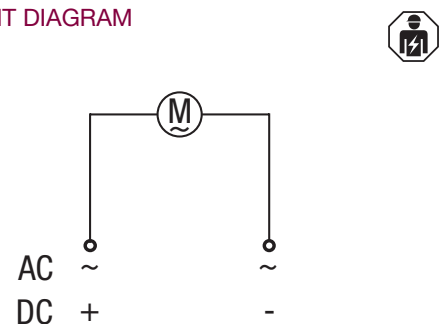
### APPLICATION AREAS

- ▶ Machinery working time control
- ▶ Pumps working time control
- ▶ Effective runtime measurement of vehicles and machines

### DIMENSION DRAWINGS



### CIRCUIT DIAGRAM



## TECHNICAL DATA

### Electrical Data

Power consumption	1 VA
Accuracy	Mains synchronised

### Electric connection

Device	Flat plug DIN 6.3
--------	-------------------

### Display and format

Meter display	Analogue (7 digits) Hours
---------------	------------------------------

### Operating conditions

Temperature (operation)	-20° C ... +55° C
-------------------------	-------------------

### General data

Mounting	Built-in
----------	----------

### Standard compliance

Protection type	IP20 IP50 with sealing
Protection class	II, according to corresponding mounting

## PRODUCT VARIANTS

### Item no. / EAN code 05.20.0004.1 / 4010940001582

Supply voltage	AC 220-240 V ± 10 % 50 Hz
Approval mark	CE, VDE, CSA, UL

### Item no. / EAN code 05.20.0008.1\* / 4010940001629\*

Supply voltage	AC 110-127 V ± 10 % 60 Hz
Approval mark	CE, CSA, UL

### Item no. / EAN code 05.20.0018.1 / 4010940001681

Supply voltage	AC 18-26 V ± 10 % 50 Hz
Approval mark	CE, VDE, CSA, UL

### Item no. / EAN code 05.20.0029.1 / 4010940001728

Supply voltage	AC 110-120 V ± 10 % 50 Hz
Approval mark	CE, VDE, CSA, UL

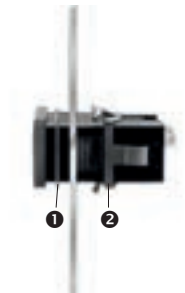
\* These product variants are only produced by order

## SCOPE OF DELIVERY

- ▶ **Catch frame ②**  
Item number: 14.27.0002.4  
EAN Code: 4010940002985

## REPLACEMENT PART / ACCESSORY

- ▶ **Seal IP50 ①**  
Item number: 14.24.0001.5  
EAN Code: 4010940002992
- ▶ **Catch frame ②**  
Item number: 14.27.0002.4  
EAN Code: 4010940002985



# Hour meter DIN rail mounting – taxxo 403



## PRODUCT DESCRIPTION

The taxxo 403 hour meter with AC intended for DIN rail mounting is available in different voltage variants. The device is equipped with undetachable screw terminals and operates mains synchronised within an ambient temperature of -20 °C ... + 55 °C. The meter can monitor up to 99,999.99 hours of operation. The product complies with the safety guidelines of protection class II and protection type IP20. taxxo is characterised by long-life and maintenance-free technology with robust and reliable design.

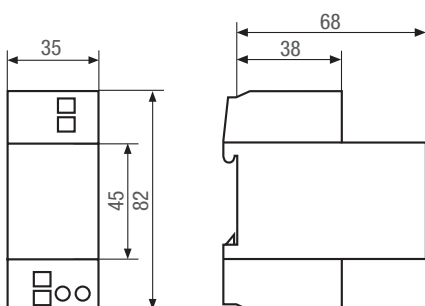
- ▶ Easy and quick installation



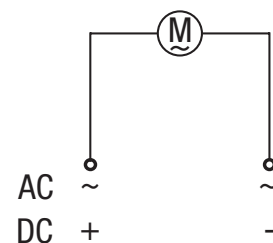
## APPLICATION AREAS

- ▶ Machinery working time control
- ▶ Pumps working time control
- ▶ Effective runtime measurement of vehicles and machinery

## DIMENSION DRAWINGS



## CIRCUIT DIAGRAM



## TECHNICAL DATA

### Electrical Data

Power consumption	1 VA
Accuracy	Mains synchronised

### Electric connection

Device	Screw terminal with wire protection max. 2.5 mm <sup>2</sup> Undetachable screw
--------	--

### Display and format

Meter display	Analogue (7 digits) Hours
---------------	------------------------------

### Operating conditions

Temperature (operation)	-20° C ... +55° C
-------------------------	-------------------

### General data

Weight	90 g
Mounting	DIN rail

### Standard compliance

Protection type	IP20
Protection class	II, according to corresponding mounting

## PRODUCT VARIANTS

### Item no. / EAN code 05.21.0002.1 / 4010940001780

Supply voltage	AC 110-120 V ± 10 % 50 Hz
Approval mark	CE, VDE

### Item no. / EAN code 05.21.0003.1\* / 4010940001797\*

Supply voltage	AC 36-48 V ± 10 % 50 Hz
Approval mark	CE, VDE

### Item no. / EAN code 05.21.0004.1\* / 4010940001803\*

Supply voltage	AC 18-26 V ± 10 % 50 Hz
Approval mark	CE, VDE

### Item no. / EAN code 05.21.0009.1\* / 4010940001810\*

Supply voltage	AC 110-127 V ± 10 % 60 Hz
Approval mark	CE

### Item no. / EAN code 05.21.0001.1 / 4010940001773

Supply voltage	AC 220-240 V ± 10 % 50 Hz
Approval mark	CE, VDE

### Item no. / EAN code 05.21.0006.1 / 4010940007959

Supply voltage	AC 330-380 V ± 10 % 50 Hz
Approval mark	CE, VDE

\* These product variants are only produced by order







## GRÄSSLIN Services



### Technology in plain text

You can obtain additional information about our products in the area of "Technology in plain text" at:  
<http://www.graesslin.de/qrc/catalog/glossary/1/de/>



### Tender specifications

You can find our current tender specifications as a free download here.  
 You can thus quickly and easily use the texts in your contract specifications:  
<http://www.graesslin.de/qrc/catalog/tendertext/1/de/>



### Discontinued and replacement types

You can find an overview of our discontinued and replacement types here:  
<http://www.graesslin.de/qrc/catalog/followuptypes/1/de/>

## Legal notice

### Publisher

Grässlin GmbH  
 Bundesstr. 36  
 78112 St. Georgen  
 Germany

Phone: +49 (0) 7724 / 933-0  
 Fax: +49 (0) 7724 / 933-240  
 Email: [info@graesslin.de](mailto:info@graesslin.de)

**Visit us online:**  
[www.graesslin.de](http://www.graesslin.de)

### Layout

team:orange GmbH, web and advertising agency  
[www.teamorange.de](http://www.teamorange.de)

### Printing

C. Maurer GmbH & Co. KG

### Edition

Product catalogue meters 2016 © Copyright by Grässlin GmbH  
 Reprint and extracts require written permission.  
 Technical changes and errors reserved.





Grässlin GmbH  
Bundesstraße 36  
78112 St. Georgen  
Germany

☎ +49 (0) 7724 / 933-0  
📠 +49 (0) 7724 / 933-240

🌐 [www.graesslin.de](http://www.graesslin.de)  
✉ [info@graesslin.de](mailto:info@graesslin.de)